



# CONTINENTAL ROLLO-MIXER®

ALL CONTINENTAL "ROLLO-MIXERS"® ARE MADE TO ORDER

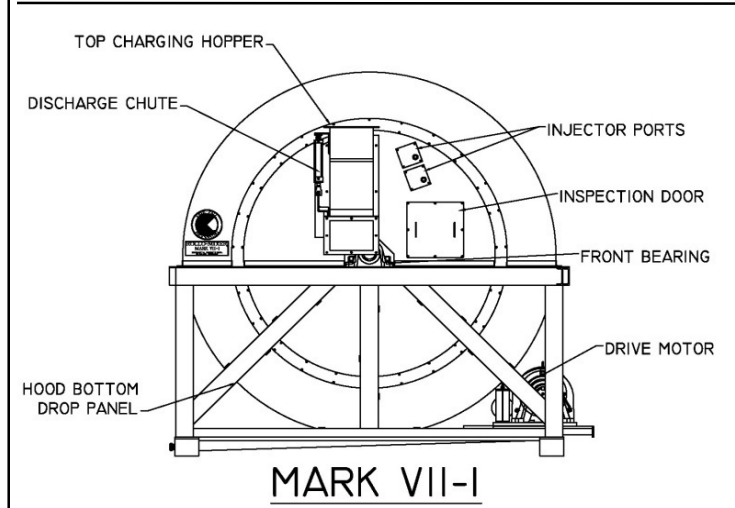
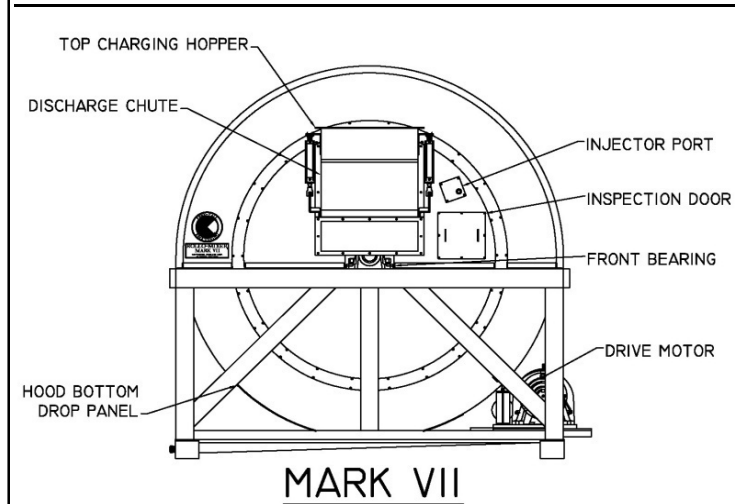
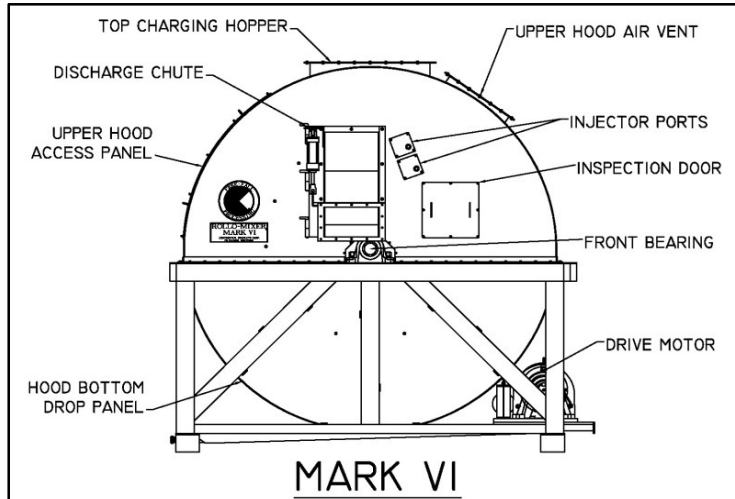
Continental manufactures the "Rollo-Mixer"® in 128 basic models within 11 series for different PRODUCT DENSITIES, PURPOSES OF APPLICATION, INSTALLATION ROOM, and PRODUCTION RATES.

| ROLLO-MIXER MODELS AND SIZES |                     |
|------------------------------|---------------------|
| SERIES                       | WORKING LOAD VOLUME |
| 28                           | 3.5 Cu. Ft.         |
|                              | 5 Cu. Ft.           |
| 31                           | 10 Cu. Ft.          |
|                              | 15 Cu. Ft.          |
| 50                           | 25 Cu. Ft.          |
|                              | 50 Cu. Ft.          |
| 62                           | 50 Cu. Ft.          |
|                              | 83 Cu. Ft.          |
| 74                           | 86 Cu. Ft.          |
|                              | 172 Cu. Ft.         |
| 86                           | 133 Cu. Ft.         |
|                              | 343 Cu. Ft.         |
| 98                           | 200 Cu. Ft.         |
|                              | 458 Cu. Ft.         |
| 101                          | 343 Cu. Ft.         |
|                              | 686 Cu. Ft.         |
| 120                          | 514 Cu. Ft.         |
|                              | 1000 Cu. Ft.        |
| 132                          | 833 Cu. Ft.         |
|                              | 1286 Cu. Ft.        |
| 144                          | 1000 Cu. Ft.        |
|                              | 1600 Cu. Ft.        |

**Formula for Selecting Proper Mixer Size**  

$$\frac{\text{___ lbs/batch}}{\text{(Batch Size)} \div \text{(Product Density)}} = \frac{\text{___ ft}^3\text{/batch}}{\text{(Load Volume)}}$$

CONTINENTAL WILL HELP YOU DETERMINE THE EXACT ROLLO-MIXER® MODEL AND SIZE YOU NEED. EACH INSTALLATION IS CUSTOM ENGINEERED FOR ITS SPECIFIC APPLICATION TO NEW OR EXISTING FACILITIES. INSTALLATION DRAWINGS ARE APPROVED BY THE CUSTOMER PRIOR TO FABRICATION. CONTINENTAL PRODUCTS CORPORATION SUPERVISES EQUIPMENT START-UP IN THE FIELD. OUR PURPOSE IS TO TRAIN USER PERSONNEL IN THE SAFE AND PROPER USE OF THIS EQUIPMENT. IT IS OUR POLICY TO WORK DIRECTLY WITH OUR CUSTOMERS TO ENSURE THAT THEIR FINISHED PRODUCTS MEET OR EXCEED THEIR EXPECTATIONS.



Note: We reserve the right to change specifications of any given model at any time without notice or obligation.

**"PRODUCTS THAT MEET TOMORROW'S CHALLENGE"**